

ENGLISH

MAG:CFX®

USER AND INSTALLATION MANUAL

# STADIUMSHOT III



CONFETTI & STREAMER FX

PART01839 rev 01-06

# DISCLAIMER

---

**⚠ WARNING**

Read this manual carefully before installing and/or using this product. Failure to read the manual and to follow the printed instructions may lead to personal injury and/or damage to the product.

---

© 2024 MAGICFX®

All rights reserved.

Nothing from this publication may be copied, reproduced and/or published by means of printing, photocopying or by any other means, without the prior written approval of MAGIC FX.

MAGIC FX reserves the right to modify specifications stated in this manual.

## TRADEMARKS

Any brand names mentioned in this manual are registered trademarks of their respective owners.

## LIABILITY

MAGIC FX accepts no liability for claims from third parties arising from unauthorised use, use other than that stated in this manual, and use other than in accordance with the General Conditions registered at the Chamber of Commerce.

We further refer to the General Conditions. These are available on request, free of charge.

Although considerable care has been taken to ensure a correct and comprehensive description of all relevant components, the manual may nonetheless contain errors and inaccuracies.

Should you detect any errors or inaccuracies in the manual, we would be grateful if you would inform us. This helps us to further improve our documentation.

# TABLE OF CONTENT

Introduction	4
Target group	4
Language	5
Abbreviations	5
Revision table	5
<b>1. Description</b>	<b>6</b>
1.1. Main parts	7
1.2. Technical data	8
1.3. Product identification	9
1.4. ARM Control	9
1.5. DMX control	9
1.6. Display panel	10
1.7. RDM capability	13
1.8. Accessories	14
1.9. Input & Output	14
<b>2. Safety</b>	<b>15</b>
2.1. General safety rules	15
2.2. Transport	15
2.3. Compressed air	16
2.4. Outdoor use	16
2.5. Rigging	16
2.6. Noise levels	16
2.7. Confetti & Streamers	16
2.8. Safety symbols	17
2.9. Safety warnings	17
2.10. Safety zones	18
<b>3. Installation and use</b>	<b>20</b>
3.1. Install the machine	20
3.2. Connect the machine	25
3.3. Testing the valve (optional)	27
3.4. Fill with confetti and/or streamers	28
3.5. Fill with pressurised air	30
3.6. Shoot with DMX or Pyro	31
3.7. Use the emergency stop	32
3.8. Clean up	32
<b>4. Troubleshooting</b>	<b>35</b>
<b>5. Maintenance</b>	<b>36</b>
5.1. Cleaning	36
5.2. Replace the air-in filter	36
<b>6. Correct disposal</b>	<b>38</b>
<b>7. EC Declaration of Conformity</b>	<b>39</b>




# INTRODUCTION

Congratulations! You have bought a great new product from MAGIC FX.

This manual contains all information required for the intended use of the equipment. Deviation from the described intended use can result in a hazardous situation and/or property damage.

This manual includes notes and warnings on safe operation of the equipment. These notes and warnings are accompanied by the following icons. Read them attentively!

---

 <b>DANGER</b>	Indicates a hazardous situation that, if not avoided, will result in death or serious injury. This signal word is to be limited to the most extreme situations.
 <b>WARNING</b>	Indicates a hazardous situation that, if not avoided, could result in death or serious injury.
 <b>CAUTION</b>	Indicates a hazardous situation that, if not avoided, could result in minor or moderate injury.
<b>NOTICE</b>	Indicates information considered important, but not hazard-related (e.g. messages relating to property damage).

---

## TARGET GROUP

This manual is targeted at authorised personnel in the event industry that install and operate the STADIUMSHOT III and the required ARM SYSTEM.

Authorised personnel are those who:

- Are appointed by their supervisor to install and/or operate the STADIUMSHOT III and the related ARM SYSTEM at the event.
- Are trained in recognizing and avoiding hazards related to SFX applications at events.
- Are familiar with the safety instructions of each involved ARM SYSTEM component.
- Are familiar with and abide by the applicable local, national and international laws and regulations.

# LANGUAGE

This document contains the original instructions in English. In case you require other languages please contact MAGIC FX.

## ABBREVIATIONS

Abbreviation	Description
SFX	Special effects
DMX	Digital Multiplex
RDM	Remote Device Management
ARM SYSTEM	MAGICFX® SFX SAFETY ARM SYSTEM
ARM CONTROLLER	MAGICFX® SFX SAFETY ARM CONTROLLER
E-STOP	MAGICFX® SFX SAFETY E-STOP
TERMINATOR	MAGICFX® SFX SAFETY TERMINATOR
STADIUMSHOT III	MAGICFX® STADIUMSHOT III

Abbreviations

## REVISION TABLE

Doc nr	Revision	Date	Description	Author	Approved
PART01839	01-00	05-03-2020	Initial release	CSK	PW
PART01839	01-01	02-10-2020	Accessories	NvE	LL
PART01839	01-02	10-11-2022	Updated ARM SYSTEM	TF	PW
PART01839	01-03	22-03-2023	Added valve testing	MBO	PW
PART01839	01-04	19-12-2023	Preparing for CMS Added safety zones	MBO	PW
PART01839	01-05	13-03-2024	ARM/Enable update	MBO	GM
PART01839	01-06	25-09-2024	Updated safety zones Updated front page	MBO	SvdS

# 1. DESCRIPTION

The STADIUMSHOT III is a special effects machine that shoots confetti or streamers into the air. The STADIUMSHOT III is intended for outdoor use. At the desired moment the air flows from the tank via the barrel out of the machine. This results in the confetti or streamers leaving the output pipe at high velocity into the air up to 40 metres far\*.

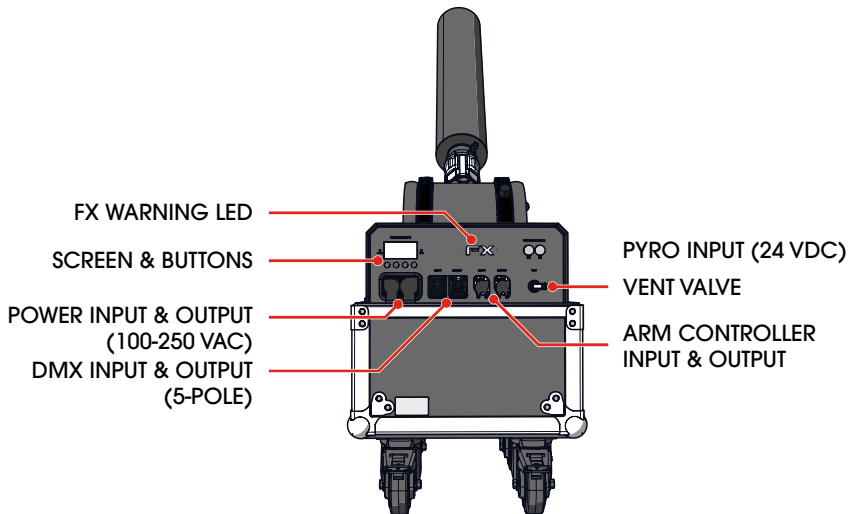
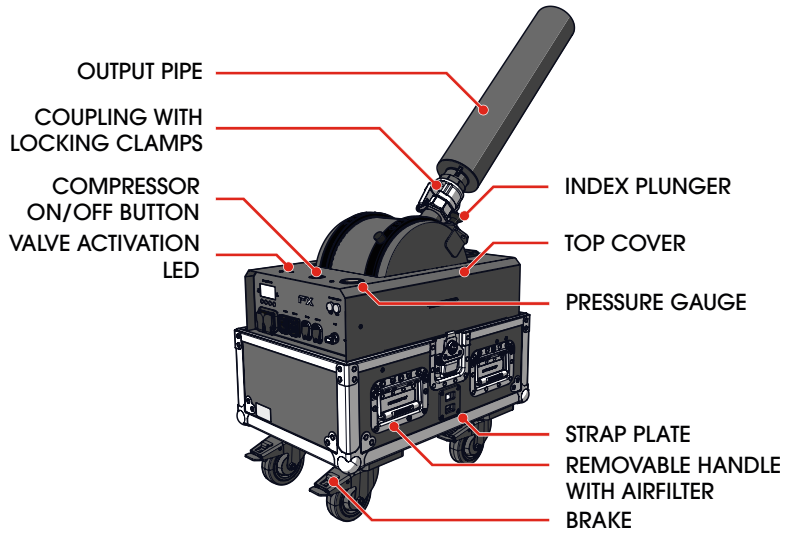
The machine is equipped with an onboard compressor to pressurize the air tank. The pressure can be set via the machine's display to accommodate different venues. When the machine is loaded with MAGICFX® CONFETTI or STREAMERS, a single push on the physical button on the STADIUMSHOT III will charge the air tank to the set pressure, and maintain the pressure at the set value until the shot is fired. If for any reason the pressure drops, and cannot be compensated, the system will block the shot for safety reasons.

The STADIUMSHOT III is operated with DMX and RDM, or with an external low voltage pyro controller (24 V). The STADIUMSHOT III can be operated in sequence with multiple machines. Furthermore, the STADIUMSHOT III is configured for safety control with an ARM SYSTEM.

\* The output distance depends on input material, air pressure and environmental conditions.

## 1.1. MAIN PARTS

---



---

Main parts

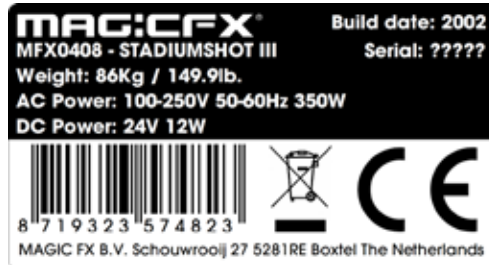
## 1.2. TECHNICAL DATA

<b>Product</b>	Product Name	STADIUMSHOT III	
	Product Code	MFX0408	
	Product Type	CONFETTI & STREAMER FX	
<b>Main Dimensions</b>	Length	600 mm	23.6 in
	Width	400 mm	15.8 in
	Height	870 mm	34.3 in
<b>Weight</b>	Empty Weight	86 kg	189.6 lbs
<b>Environment</b>	Minimum Temperature	- 10 °C	14 °F
	Maximum Temperature	70 °C	158 °F
	Humidity (Relative)	20 to 90 % (non-condensing)	
<b>Electrical</b>	Voltage Input	100 - 250 VAC	
	Voltage Frequency	50 - 60 Hz	
	Power Consumption	350 W	
	Power Connector	Neutrik® powerCON TRUE1 (in&out)	
<b>Controlling</b>	Control Options	DMX / 24 VDC	
	Control Protocols	DMX512-A (ANSI E1.11) RDM (ANSI E1.20)	
	Control Connectors	Neutrik® 5-pole male/ female XLR 4 mm banana socket	
<b>Safety controlling</b>	ARM Connector	Neutrik® etherCON RJ45 (in&out)	
<b>Configuring</b>	Configure Options	On Device RDM	
<b>Pressure tank</b>	Maximum pressure	8 bar	116 psi
	Volume	10.9 L	2.9 gal
<b>Usage</b>	Consumable(s)	MAGICFX® CONFETTI MAGICFX® STREAMERS	

Technical data



### 1.3. PRODUCT IDENTIFICATION



Type plate

### 1.4. ARM CONTROL

#### NOTICE

The STADIUMSHOT III cannot be operated without connection to an ARM CONTROLLER in an ARM SYSTEM.

The STADIUMSHOT III is configured for safety control with an ARM SYSTEM. The STADIUMSHOT III cannot be operated without the safety signal from the ARM CONTROLLER. When there's no signal, the internal relief valve opens. The system depressurises immediately and prevents the STADIUMSHOT III to produce any high-risk SFX output. As a result, any related hazard/or property damage is stopped and prevented.

The ARM CONTROLLER is equipped with a key switch to arm/disarm the connected SFX machine(s), an emergency stop button, and a reset button. The ARM SYSTEM is wired with EtherCON cables that carry the safety signal from the ARM CONTROLLER.

For more information about the ARM SYSTEM and to learn how to configure a complete safety system, refer to the ARM SYSTEM Configuration Manual (PART02323).

For more information about the ARM CONTROLLER and to learn how to correctly set up and use the ARM SYSTEM, refer to the ARM CONTROLLER User and Installation Manual (PART01882).

### 1.5. DMX CONTROL

The STADIUMSHOT III is controlled with 1 enable address and 1 operational address:

DMX Address	Address range	Control
Enable address	1-512	Device enable / disable
Start address	1-512	Effect trigger

DMX Addresses

The enable address cannot be the same as the operational address. Operating of these addresses results in the following:

DMX Address	DMX Value (decimal)	Result	
Enable address	0	24	Device disabled
	25	64	Reset alarm codes
	65	99	Device disabled
	100	154	Device enabled
	155	255	Device disabled
Start address (effect trigger)	0	199	No output
	200	255	Output effect

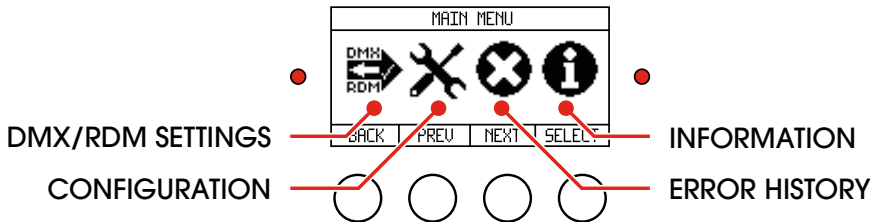
Operation of the DMX addresses

When you link multiple machines with DMX, we advise you to use the same safety address for all machines.

**NOTICE**

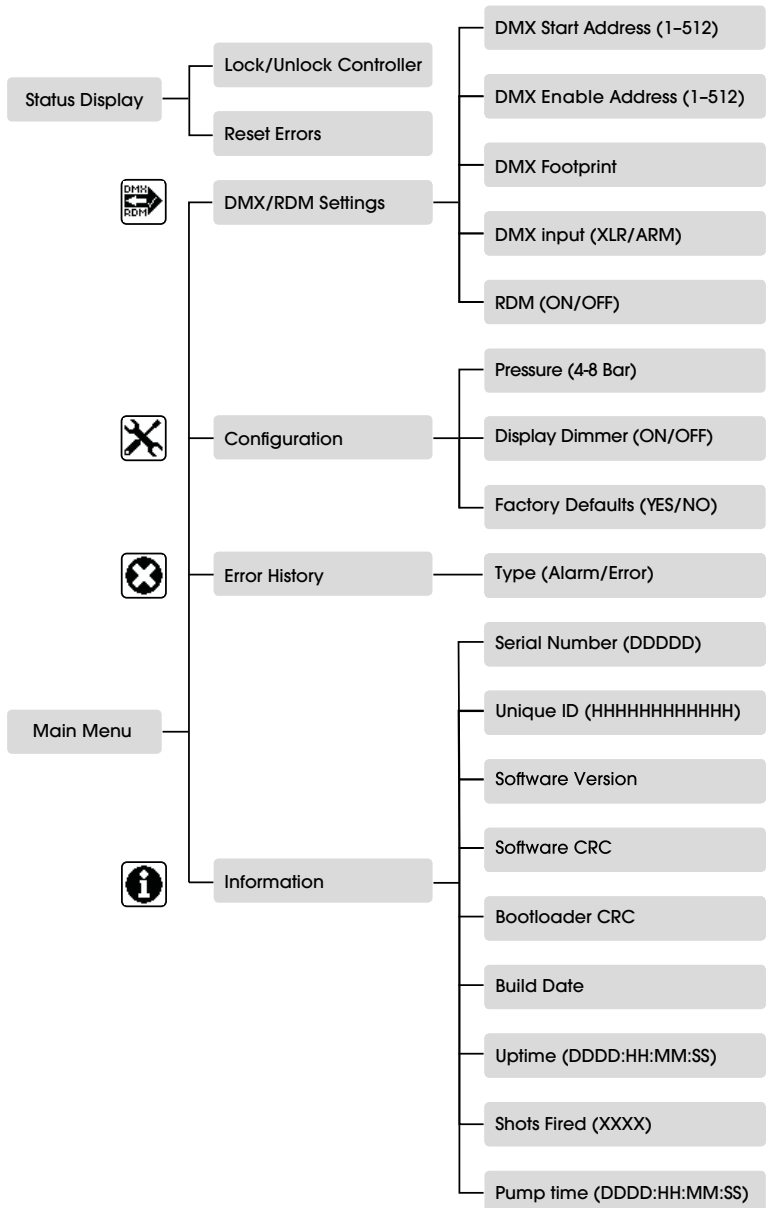
Always plug in a DMX Terminator into the DMX output of the final unit in the control sequence. Using a DMX Terminator improves signal and reliability.

**1.6. DISPLAY PANEL**



Display panel

The display panel is located on the backside of the STADIUMSHOT III. Check the following menu structure for all options in the menu. Use the buttons for navigation and selection. The left-hand LED blinks red when DMX is active. The right-hand LED continuously lights red when an error is present.



Menu structure

<b>Menu function</b>	<b>Explanation</b>
Lock/Unlock Controller	Holding the Lock button for more than 5 seconds will "lock" the display functions. Meaning buttons will not respond. This to avoid accidental change of parameters via display. To unlock, hold the Unlock button for more than 5 seconds.
Reset Errors	In case there is a locking error present, this button will reset the appliance. If the fault does not persist, the locking error will not reappear.
DMX Start Address (1-512)	Setting the DMX start address.
DMX Enable Address (1-512)	Setting the DMX Enable Address.
DMX Footprint	This parameter indicates the DMX footprint, in other words the amount of sequential channels used by the appliance. This does not include the enable channel.
DMX input (XLR/ARM)	Make sure that the DMX/RDM settings on your machine match your wiring setup. If the DMX signal runs separately over 5-pole XLR cables, make sure that XLR is selected. If a combined DMX and ARM signal runs over the ARM data (EtherCON) cables, make sure that ARM is selected.
RDM (On/Off)	Use this function to turn on/off the RDM functionality.
Pressure (4-8 bar)	Use this function to set the pressure between 4 and 8 bar.
Display Dimmer (On/Off)	Turn display dimmer on or off. If turned on, the display is dimmed automatically 30 seconds after the last button push.
Factory Defaults (Yes/No)	Restores the appliance factory default settings.
Type (Alarm/Error)	Toggle between the occurred locking error (Alarm) list, and blocking error (Error) list. Locking errors need intervention by user, although they are "auto-reset" 3 times before the appliance remains in error until reset by user. Blocking errors clear when the triggering fault disappears. 16 locked, and 16 blocked errors are logged. Top of the list shows the last occurring error.
Serial Number (DDDDD)	Appliance serial number as also printed on the appliance label.
Unique ID (HHHHHHHHHHH)	UID number as the appliance appears in the RDM device list after running discovery.
Software Version	Installed software version.
Software CRC	CRC of the functional software.
Bootloader CRC	CRC of the bootloader software.
Build Date	Release date of functional software.

Menu functions

<b>Menu function</b>	<b>Explanation</b>
Uptime (DDDD:HH:MM:SS)	Time counter which indicates how long the appliance has been powered in total.
Shots fired	Number of shots fired with DMX.
Pump Time (DDDD:HH:MM:SS)	Time counter which indicates how long the pump has been on in total.

Menu functions

## 1.7. RDM CAPABILITY

Remote Device Management Protocol (RDM) is an enhancement of the DMX512 communication protocol. RDM can be used for configuration and status monitoring while DMX512 takes care of the default controlling.

For RDM you will need an RDM compatible controller.

The following RDM parameters are supported by the STADIUMSHOT III.

<b>Parameter ID</b>	<b>Discovery</b>	<b>GET</b>	<b>SET</b>
DISC_UNIQUE_BRANCH	X		
DISC_MUTE	X		
DISC_UN_MUTE	X		
DEVICE_INFO		X	
SUPPORTED_PARAMETERS		X	
SOFTWARE_VERSION_LABEL		X	
DEVICE_MODEL_DESCRIPTION		X	
MANUFACTURER_LABEL		X	
SLOT_DESCRIPTION		X	
SENSOR_DEFINITION		X	
SENSOR_VALUE		X	
DMX_START_ADDRESS		X	X
IDENTIFY_DEVICE		X	X
DEVICE_LABEL		X	X
FACTORY_DEFAULTS		X	X
RESET_DEVICE			X

RDM parameters

RDM parameters are subject of change due to software updates. Contact MAGIC FX for the latest information and updates.

## 1.8. ACCESSORIES

Code	Product	Included
MFX0404	Compression caps tape 50 m x 50 mm	
MFX0407	25 caps + 25 cores for MAGICFX® STADIUMSHOT	
MFX0423	STADIUMSHOT III SECURE STRAP	
MFX0424	STADIUMSHOT III RAIN COVER	
MFX0313	Schuko to Neutrik® powerCON TRUE1 cable - 1.5 m	

Accessories

Please contact MAGIC FX for additional possibilities.

For information about the accessories of the ARM CONTROLLER (MFX3220), refer to the ARM CONTROLLER User and Installation Manual (PART01882).

## 1.9. INPUT & OUTPUT

The output pipe has a payload of 5 litres and can be filled with MAGICFX® confetti or streamers. The maximum load per shot depends on the type of input material. The output distance depends on the type of input material and the load.

Consumable	Amount	Max. output distance		Min. pressure	
MAGICFX® PAPER CONFETTI	2 kg	20 m	66 ft	4 bar	58 psi
MAGICFX® METALLIC CONFETTI	3 kg	20 m	66 ft	4 bar	58 psi
MAGICFX® STREAMERS 20 m x 5 cm	8 polybags	40 m	131 ft	8 bar	116 psi
MAGICFX® STREAMERS 20 m x 2.5 cm	9 polybags	40 m	131 ft	8 bar	116 psi
MAGICFX® STREAMERS 10 m x 5 cm	15 polybags	35 m	115 ft	8 bar	116 psi
MAGICFX® STREAMERS 10 m x 2.5 cm	18 polybags	35 m	115 ft	8 bar	116 psi
MAGICFX® STREAMERS 10 m x 1.5 cm	20 polybags	35 m	115 ft	8 bar	116 psi

Projectile types and related loads and output

### NOTICE

Wind and other weather circumstances will influence the output distance. The given values are estimated values.

## 2. SAFETY

The STADIUMSHOT III has been designed and constructed in such a manner that it can be used safely. This applies to the use, the circumstances and the regulations as described in this documentation. Reading this documentation and following the instructions are therefore necessary for everyone who is authorised to work with the STADIUMSHOT III.

The STADIUMSHOT III must be used in surroundings that:

- Have a reasonably stable temperature of between -10 and 70 °C.
- Have a relative humidity degree between 20 % and 90 % (non condensing).
- Are free of dust, corrosive gases and high concentrations of organic vapours.
- Are not situated in the vicinity of a source of vibration.

### 2.1. GENERAL SAFETY RULES

- Only authorised persons may work with the STADIUMSHOT III.
- Do not use the STADIUMSHOT III if there are people or animals in the direct output.
- Do not use the STADIUMSHOT III if alterations have been made other than by or on behalf of MAGIC FX.
- Make sure that children, unauthorised people and animals do not obtain access to the STADIUMSHOT III.
- Make sure there are no free-standing objects or objects that can be damaged by the machine within the output distance.
- Make sure that confetti or streamers cannot come into contact with high-voltage lines/power pylons, as this can result in electrocution.
- Do not connect more units to a single electrical circuit than the installed fuse is able to handle. (Calculate the summed load with the electrical data from Chapter 1)
- Do not remove or bypass any safeguards and safety symbols.
- All required safety devices must be in good condition and function properly.
- Ensure sufficient lighting of the surroundings.
- Keep the workplace clean.

### 2.2. TRANSPORT

- Check the pressure level on the tank pressure meter before every transport. If necessary depressurize the system by opening the vent valve.

---

**⚠ WARNING**

Do not transport or move the STADIUMSHOT III when the tank is pressurized. Transporting or moving the machine when pressurized can result in death or serious injury.

---

### 2.3. COMPRESSED AIR

- If an external air source is used, always use an inspected and certified professional compressor with an air output of maximum 8 bar to fill the tank. Carefully read the manual of the compressor before use.
- Never leave the tank pressurized for more than 15 minutes.
- The machine is equipped with a pressure relief valve that automatically depressurizes the system when the maximum allowed pressure of 8 bar is exceeded. Nevertheless regularly check the tank pressure meter to make sure the pressure in the tank is stable and does not exceed 8 bar. If necessary depressurize the system by opening the ventilation valve.

### 2.4. OUTDOOR USE

The STADIUMSHOT III is designed for outdoor use.

---

**⚠ WARNING**

The STADIUMSHOT III can be used indoors in large event halls and arenas. Please refer to section 2.10..

---

### 2.5. RIGGING

Please follow the European and national guidelines for safe rigging and trussing.

### 2.6. NOISE LEVELS

The environmental noise level as measured at the ear is greater than 70 dB(A). This level of noise is only reached during the short instances that the output is active. Always wear hearing protection when you are within 5 metres of the machine during operation.

### 2.7. CONFETTI & STREAMERS

---

**⚠ WARNING**

Always shoot streamers at a minimum of 8 bar pressure to unfold them completely. Shooting streamers at a lower pressure can lead to death or serious injury.

---





**⚠ WARNING**

Using any other objects other than MAGICFX® confetti or streamers or other approved MAGICFX® consumables can lead to death or serious injury.

---









## 2.8. SAFETY SYMBOLS

Symbol	Meaning
	Make sure <b>ALL</b> people, animals, and objects are clear of this area. Not doing so results in death or serious injury.
	Make sure unauthorized personnel, animals, and objects are clear of this area. Not doing so can result in death or serious injury.
	Read the manual carefully before use!
	Wear certified hearing protection!

Safety symbols

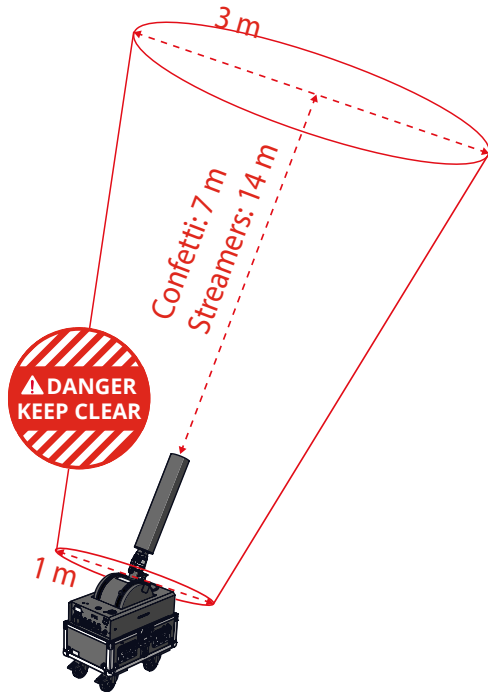
## 2.9. SAFETY WARNINGS

	Using a damaged or an improper installed machine can lead to death, serious injury or property damage. Always inspect the machine thoroughly before operation.
	Unauthorized operation of the machine can lead to death, serious injury or property damage. Never leave the machine unattended when the machine is ready for use.
	Do not use the STADIUMSHOT III if alterations have been made other than by or on behalf of MAGIC FX.
	Missing or obscured safety symbols on the machine can lead to death or serious injury. Make sure all safety symbols are correctly in place, see section 2.8.
	Make sure there are no objects near the output that can be damaged or overthrown by the STADIUMSHOT III.
	Always install the output pipe before operating the machine.

## 2.10. SAFETY ZONES

**⚠ DANGER**

When pressurized, keep the output zone as shown in the image below clear of all people, animals and objects. Not doing so results in death or serious injury.



**⚠ DANGER**

Make sure that confetti or streamers cannot come into contact with high-voltage lines/power pylons, as this can result in electrocution.

**⚠ WARNING**

Do not use wet consumables. This may lead to serious injury or death.

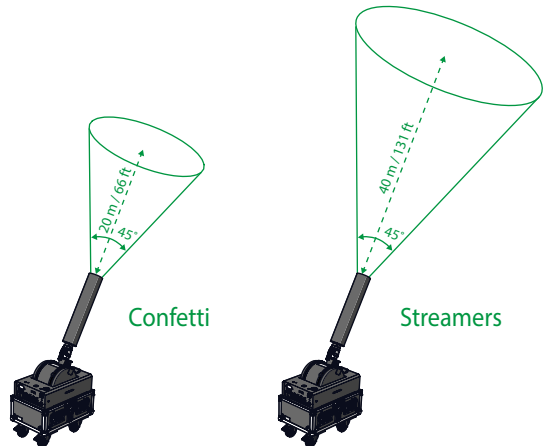
**⚠ WARNING**

Always create a safety zone around the machine with a radius of 2 meters / 6.56 feet. Make sure unauthorized personnel, animals and objects are clear of this area. Not doing so can result in death or serious injury.



**NOTICE**

The total size of the output effect depends on the consumable used.



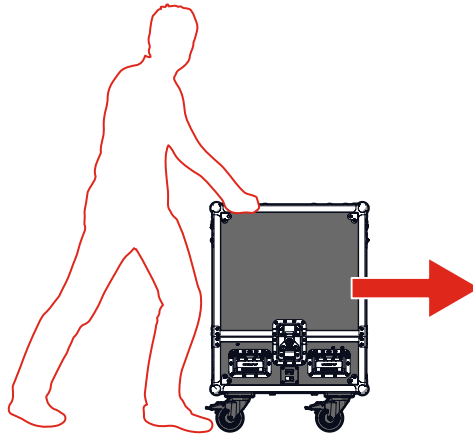
**NOTICE**

Make sure the STADIUMSHOT III is installed properly and set up in a stable position.

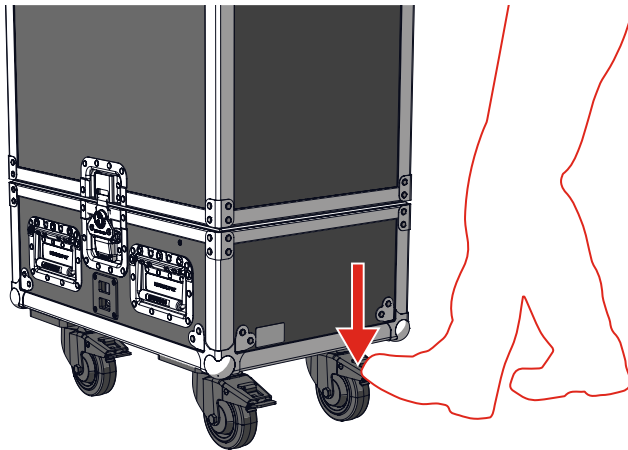
### 3. INSTALLATION AND USE

#### 3.1. INSTALL THE MACHINE

1. Bring the cased machine to the desired location.
- 



2. Place the machine in its final position and set the brakes.
- 



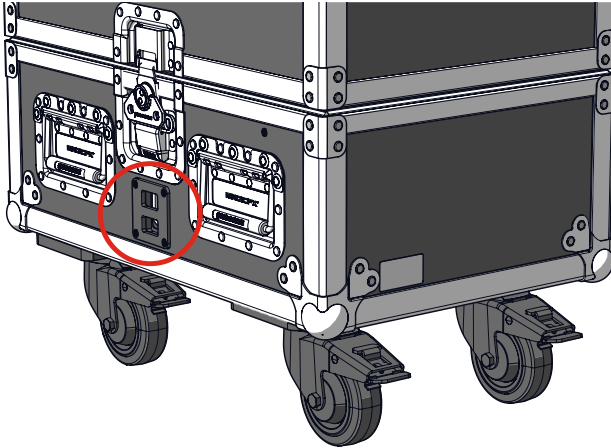
3. Apply a lashing ratchet to the strap plates on the side of the machine to fixate the machine and prevent it from moving.

**⚠ WARNING**

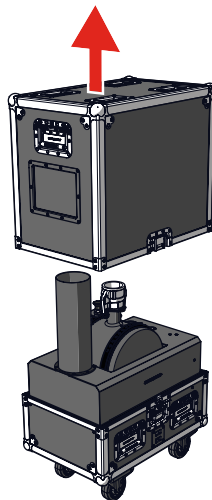
Always make sure to properly fixate the machine on a stable and suited surface. Not doing so can result in death or serious injury.

**NOTICE**

Do not apply more than 100 kg on the strap plate. The flightcase may break down.

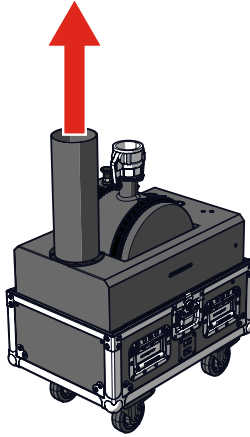


4. Unlock and remove the flightcase cover.



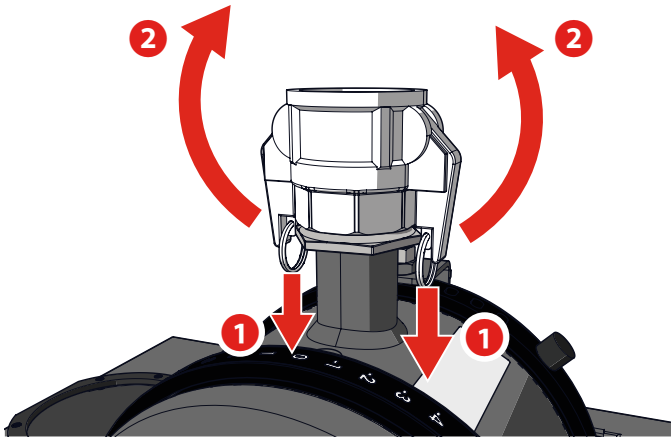
5. Remove the output pipe.

---

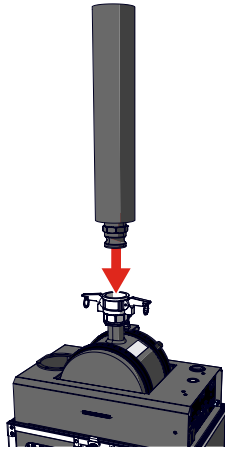


6. Pull the locking clamps downwards to unlock and rotate them upwards.

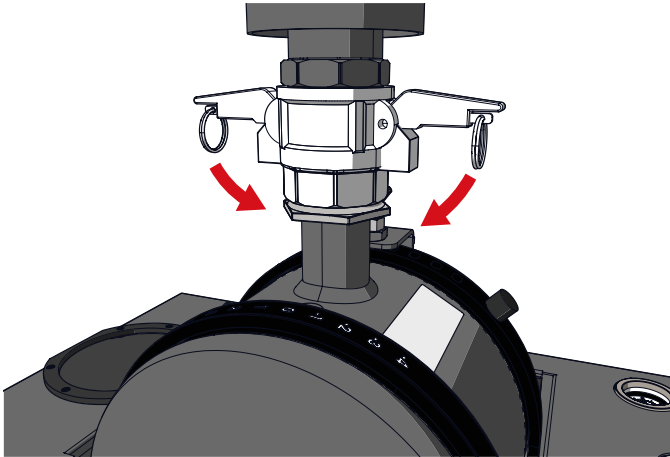
---



7. Place the output pipe in the coupling while holding the locking clamps upwards.
- 



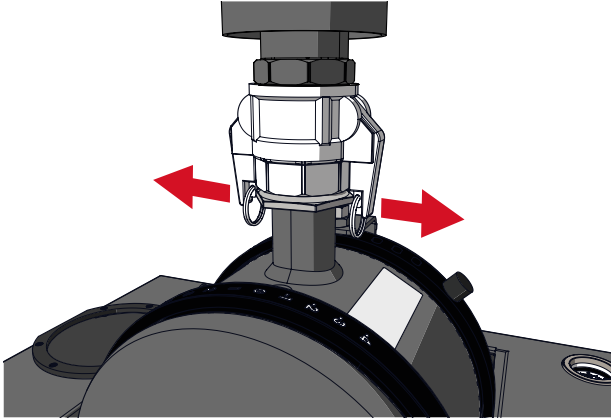
8. Lock the output pipe in place with the locking clamps.
- 



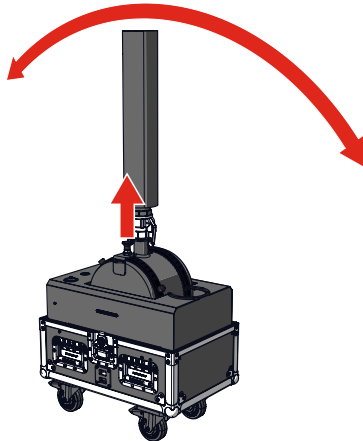
9. Pull the clamps outwards to check if the locking pins are properly locked in place. If not: remove the output pipe and repeat step 5 and 6.

**⚠ WARNING**

Never use the machine when the clamps are not locked or working properly. Not doing so can result in death or serious injury.



10. Pull the index plunger and set the tank in the desired position. Make sure the index plunger is properly in place.



**⚠ WARNING**

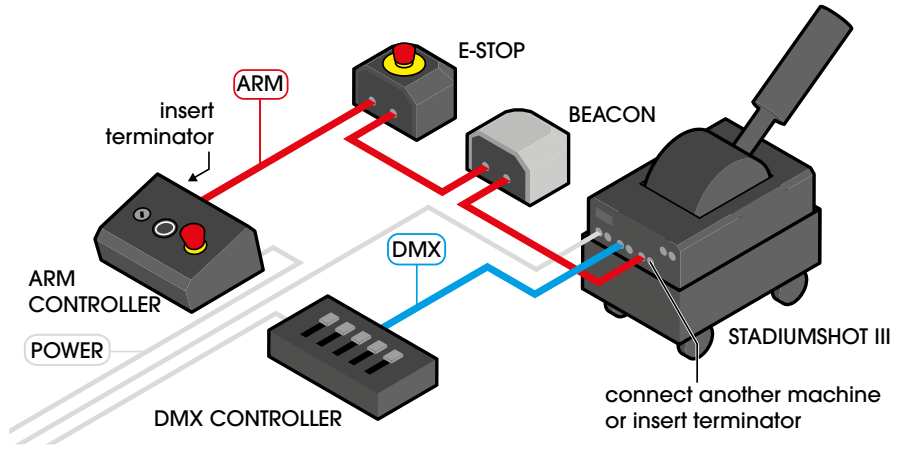
Never use the machine when the index plunger is not properly in place or working properly. Not doing so can result in serious injury or death.



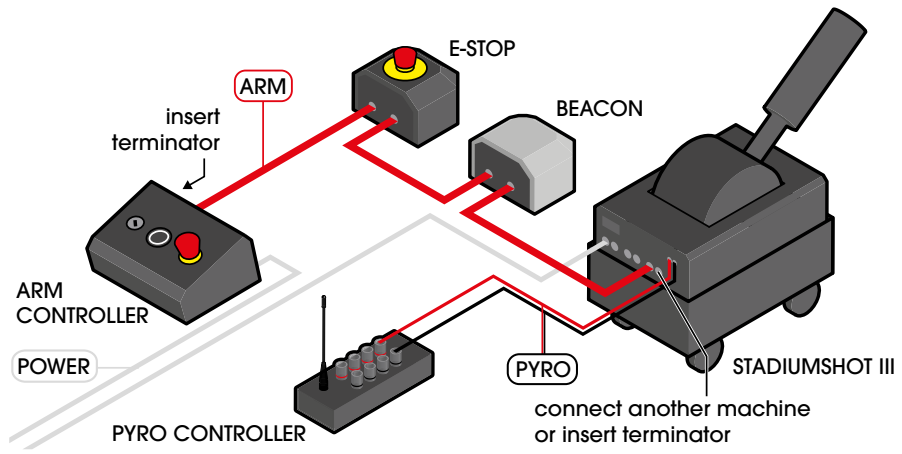
### 3.2. CONNECT THE MACHINE

1. Install the ARM CONTROLLER in compliance with the instructions from the ARM CONTROLLER User and Installation Manual (PART01882).
2. Connect the PowerCon TRUE1 power cable to the power input of the STADIUMSHOT III. Connect the other end to a 100-250 Vac (50-60 Hz) power source.
3. Connect the correct cables between the ARM CONTROLLER, the STADIUMSHOT III, the control equipment, and other ARM SYSTEM components and machines (if applicable). Check the following variants for connection details.

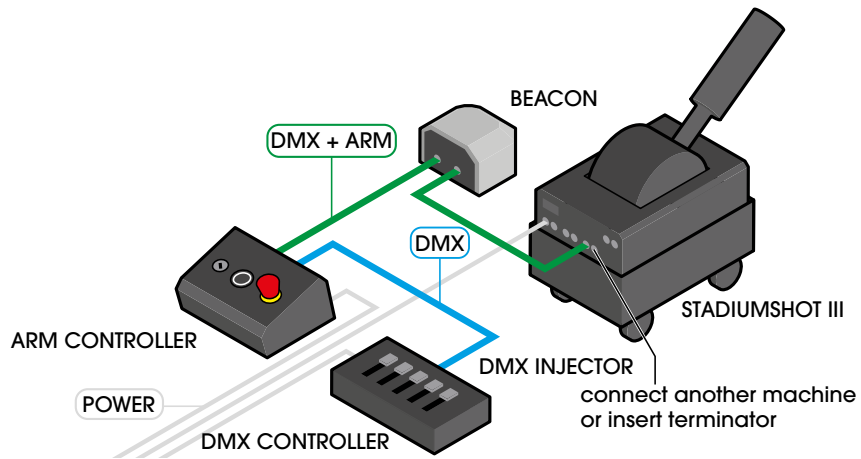
**A** The STADIUMSHOT III is controlled with DMX. The DMX signal and the ARM signal have separate cables.



**B** The STADIUMSHOT III is controlled with pyro (9-40 Vdc).



**C** The STADIUMSHOT III is controlled with DMX. The DMX signal and the ARM signal are combined.



4. If controlled with DMX: Use the display and buttons or a RDM controller to assign DMX addresses, see Chapter 1.5.

For more connection and configuration options, refer to the ARM SYSTEM Configuration Manual (PART02323).

---

**⚠ CAUTION**

Do not connect more units to a single electrical circuit than the installed fuse is able to handle. (Calculate the summed load with the electrical data from Chapter 1)

---

**NOTICE**

Insert a TERMINATOR in the last ARM output of each line to close the safety circuit. The ARM SYSTEM will not work when a line remains open.

---

**NOTICE**

Always plug in a DMX Terminator into the DMX output of the final unit in the control sequence. Using a DMX Terminator improves signal and reliability.

---

### 3.3. TESTING THE VALVE (OPTIONAL)

---

**⚠ CAUTION**

Make sure the pressure sits below 1 bar.

---

If DMX is used, follow the next steps:

1. Turn off the DMX effect channel.
2. Set the safety key on the ARM CONTROLLER to the ON position.
3. Activate the enable address. The FX LED starts flashing slowly. The requirements for the Test Mode have been met.
4. Turn on the DMX effect channel to test the valve.
5. After the test, turn off the DMX effect channel.
6. Switch off ARM and/or turn off DMX enable to exit the Test Mode.

If pyro is used, follow the next steps:

1. Make sure there is no pyro input.
2. Set the safety key on the ARM CONTROLLER to the ON position.
3. Activate the pyro controller to test the valve. The FX LED starts flashing slowly if the power is connected. The test is activated for 5 seconds.
4. Deactivate the pyro controller to exit the Test Mode.

---

**⚠ CAUTION**

It is possible to fire the machine with pyro without connecting the PowerCon TRUE1 female connector. The warning LED will not light up when enabling the ARM CONTROLLER.

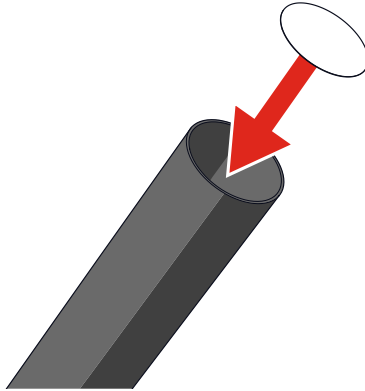
---

### 3.4. FILL WITH CONFETTI AND/OR STREAMERS

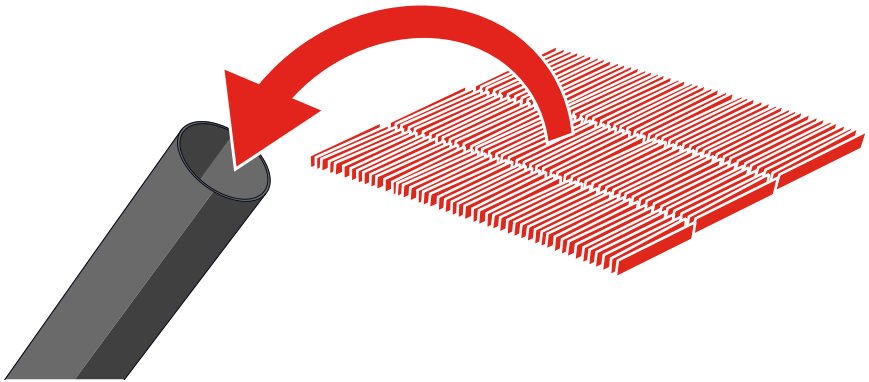
**⚠ WARNING**

Make sure the vent valve is open and the gauge pressure is 0 bar. Not doing so can result in death or serious injury.

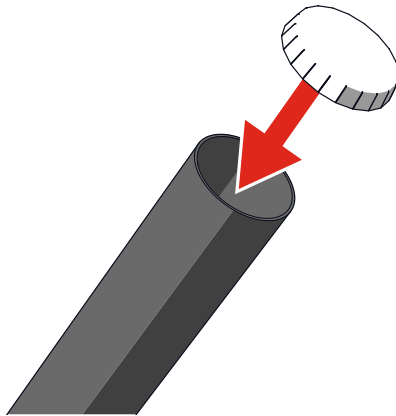
1. Place a lifting core in the bottom of the output pipe.  
Make sure the lifting core lies flat and closes off the hole in the output pipe!



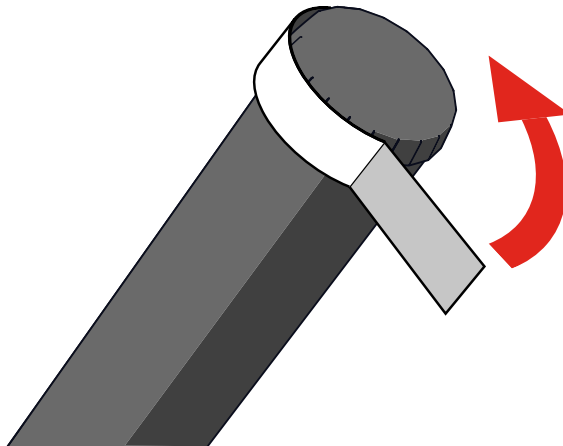
2. Fill the output pipe with confetti and/or streamers.  
Check Chapter 1.9. for the maximum amount of each type of input.



3. Place a pressure cap on top of the output pipe.
- 



4. Secure the pressure cap to the output pipe with special pressure cap tape.
- 



### 3.5. FILL WITH PRESSURISED AIR

**⚠ DANGER**

Always keep the shooting direction clear of persons, animals or objects. Not doing so will result in death or serious injury.

**⚠ DANGER**

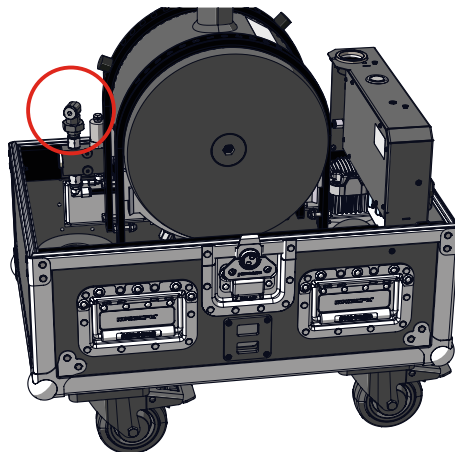
Always make sure unauthorized persons, animals or objects are not able to get in front of the shooting direction. Not doing so will result in death or serious injury.

If the internal compressor of the STADIUMSHOT III is used, follow the next steps:

1. Power the machine.
2. Close the vent valve.
3. Set the desired pressure in the menu, see Section 1.6.
4. Press the compressor on/off button on top of the machine. The compressor on/off button starts blinking.
5. After a maximum of 2.5 minutes, the pressure will be at the maximum pressure of 8 bar. The compressor will automatically stop at the set pressure and the compressor on/off button turns red.

If an external air source is used for the first time, follow the next steps. If an external air source is used when the desired quick connector is installed, follow step 5. only:

1. Remove the top cover, see Section 5.1.
2. Remove the elbow part of the 3-way coupling with an adjustable open-ended spanner.
3. Replace the end plug in the elbow with the desired quick connector suitable for the desired quick connector.
4. Close the top cover, see Section 5.1.
5. Connect the hose from an external air source to the quick coupling. Only use an air source with an air filter with a maximum output of 8 bar.



### 3.6. SHOOT WITH DMX OR PYRO

---

**⚠ DANGER**

Make sure that the described safety zone is clear of people, animals and objects. Not doing so results in death or serious injury.

---

If DMX is used, follow the next steps:

1. Make sure that the prescribed safety zone is free from persons and objects.
2. Set the safety key on the ARM CONTROLLER in the ON position.  
The FX LED lights in red, indicating the system is now armed and the STADIUMSHOT III and other connected SFX machines are ready to be operated.
3. Activate the enable address. The FX LED begins to flash.
4. Set the DMX value for the effect channel between 200 and 255 to shoot.
5. Enjoy the view!
6. Turn the enable address and the effect channel back to 0.
7. Set the safety key on the ARM CONTROLLER in the OFF position.  
The system is now disarmed and the STADIUMSHOT III and other connected SFX machines are disabled for operation.

If pyro is used, follow the next steps:

1. Make sure that the prescribed safety zone is free from persons and objects.
  2. Set the safety key on the ARM CONTROLLER in the ON position.  
The FX LED lights in red, indicating the system is now armed and the STADIUMSHOT III and other connected SFX machines are ready to be operated.
  3. Activate the pyro controller.
  4. Enjoy the view!
  5. Deactivate the external low voltage pyro controller (24V).
  6. Set the safety key on the ARM CONTROLLER in the OFF position.  
The system is now disarmed and the STADIUMSHOT III and other connected SFX machines are disabled for operation.
- 



---

**⚠ CAUTION**

It is possible to fire the machine with pyro without connecting the PowerCon TRUE1 female connector. The warning LED will not light up when enabling the ARM CONTROLLER.

---

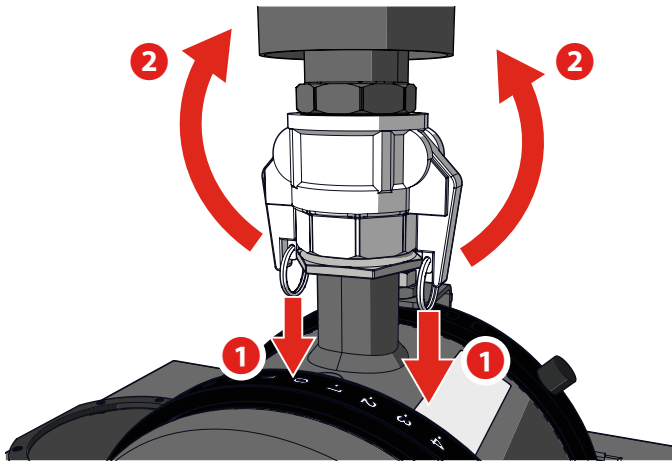
### 3.7. USE THE EMERGENCY STOP

1. When an emergency occurs or is about to occur with the STADIUMSHOT III, you press the emergency stop button on the ARM CONTROLLER or on an external E-STOP (if present).  
As a result the pressurized air can't leave the tank and any related hazard/or property damage is stopped and prevented.
2. Set the safety key on the ARM CONTROLLER in the OFF position.
3. Resolve the emergency situation and inspect the STADIUMSHOT III.
4. Release the emergency stop and perform a reset. For instructions, refer to the ARM CONTROLLER User and Installation Manual (PART01882).
5. If DMX is used, set the enable and effect channel back to 0.

The machine is ready to be used again.

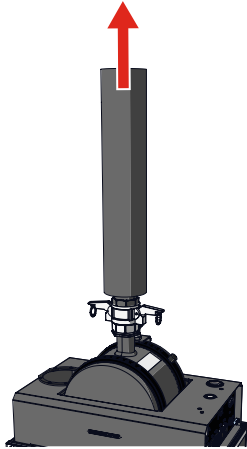
### 3.8. CLEAN UP

1. Open the vent valve to release the pressure and make sure the gauge pressure is 0 bar.
  2. Disconnect the cables.
  3. Rotate the tank to the vertical (0) position.
  4. Pull the locking clamps downwards to unlock and rotate them upwards.
- 

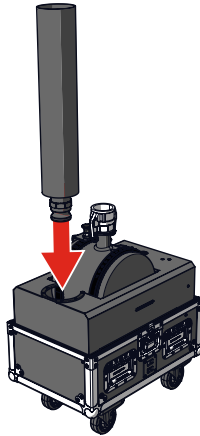




5. Remove the output pipe from the coupling.
- 



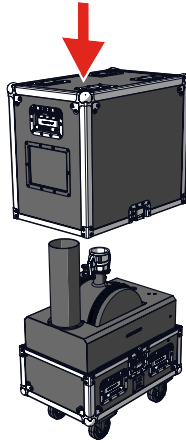
6. Store the output pipe in the flightcase.
- 



7. Remove the lashing ratchet.
-

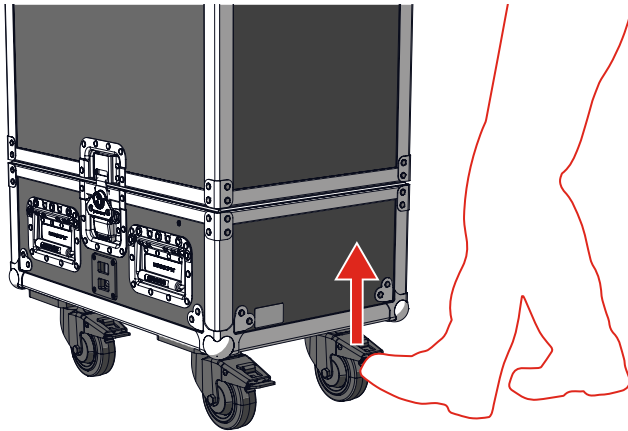
8. Place and lock the flightcase cover.

---



9. Release the brakes.

---



## 4. TROUBLESHOOTING

Code	Meaning	Solution
016	Tank does not reach the set pressure.	Make sure the vent valve is entirely closed. If the problem is not solved, contact MAGIC FX.
018	Pressure dropped too far.	Make sure the vent valve is entirely closed. If the problem is not solved, contact MAGIC FX.
019	Misfire (system error)	<ul style="list-style-type: none"> <li>• Open the vent valve to release the pressure and make sure the gauge pressure is 0 bar.</li> <li>• Close the vent valve.</li> <li>• Press the compressor on/off button to pressurize again.</li> <li>• Wait until the STADIUMSHOT III has built up the set pressure.</li> <li>• Fire again.</li> </ul> If the problem is not solved, contact MAGIC FX.
121	Orientation of device out of safe bounds.	The machine is tilted more than allowed. Turn the machine to a level position.
123	Pressure too high.	<ul style="list-style-type: none"> <li>• Open the vent valve.</li> <li>• Close the vent valve when the warning has disappeared.</li> </ul>
206	Pressure not rising.	<ul style="list-style-type: none"> <li>• Press the compressor on/off button to pressurize again.</li> <li>• Make sure the vent valve is entirely closed.</li> </ul> If the problem is not solved, contact MAGIC FX.
210	Pressure keeps dropping.	<ul style="list-style-type: none"> <li>• Make sure the vent valve is entirely closed.</li> </ul> If the problem is not solved, contact MAGIC FX.

Troubleshooting

Always contact MAGIC FX if any malfunctions or errors occur that cannot be solved with the instructions as described in this manual.

## 5. MAINTENANCE

To achieve the maximum service life of the STADIUMSHOT III you must regularly clean the STADIUMSHOT III and test if it is functioning correctly.

Regularly replace the air-in filter.

Regularly clean dust and dirt from the compressor cooling fins and motor housing.

Contact MAGIC FX if the STADIUMSHOT III is not functioning correctly.

---

**⚠ DANGER**

Do not replace parts yourself other than specified in this chapter; always consult MAGIC FX.

---

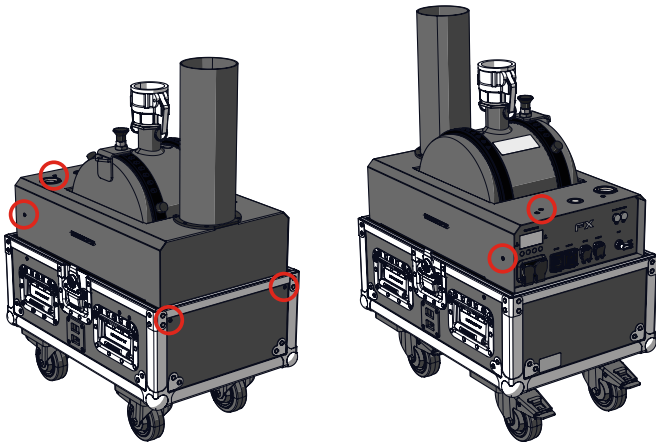
**⚠ DANGER**

Never clean the machine or do maintenance to the machine with the tank pressurised. Always make sure the vent valve is open.

---

### 5.1. CLEANING

1. Remove the top cover by removing the six screws of the top cover with a TORX20 screwdriver.



2. Clean the machine with air or a vacuum cleaner.
3. Attach the top cover to the machine with the TORX20 screws.

### 5.2. REPLACE THE AIR-IN FILTER

---

**NOTICE**

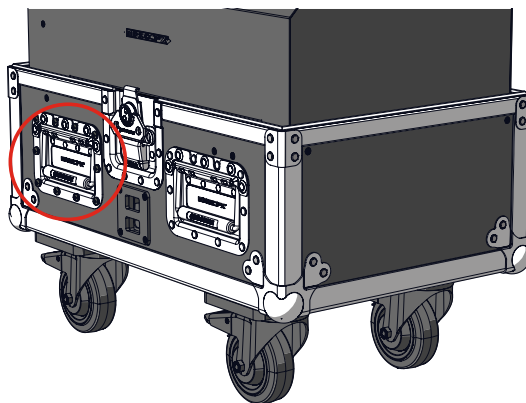
Do not run the machine without using an air-in filter. The compressor may be seriously damaged.

---

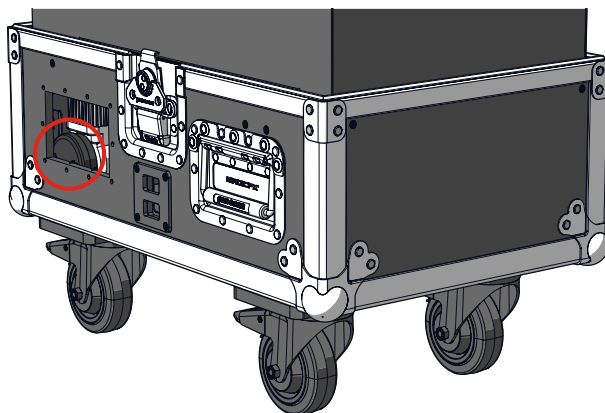
**NOTICE**

Replace the air-in filter element periodically. The replacement frequency depends on operating frequency and operating environment. For frequent use in dusty environments, MAGIC FX recommends to replace the air-in filter element once a month.

1. Remove the handle of the machine by removing the ten inbus 3 screws of the handle.



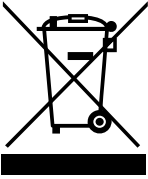
2. Remove the air-in filter housing from the machine by rotating clockwise.



3. Open the plastic housing of the air-in filter.
4. Replace the air-in filter.
5. Close the plastic housing of the air-in filter.
6. Screw the air-in filter housing back into the machine.
7. Attach the handle of the machine with the inbus 3 screws.

## 6. CORRECT DISPOSAL

---



This symbol on the product and / or accompanying documents means that used electrical and electronic products should not be mixed with general household waste. For proper treatment, recovery and recycling, please take this product to designated collection points where it will be accepted free of charge.

Alternatively, in some countries you may be able to return your products to your local retailer upon purchase of an equivalent new product. Disposing of this product correctly will help save valuable resources and prevent any potential negative effects on human health and the environment, which could otherwise arise from inappropriate waste handling. Please contact your local authority for further details of your nearest designated collection point. Penalties may be applicable for incorrect disposal of this waste, in accordance with your national legislation.

---

# 7. EC DECLARATION OF CONFORMITY

According to Annex II A Machinery Directive 2006/42/EC

MAGIC FX B.V. declares as manufacturer and composer of the technical construction file that the product with the following specifications:

Name machine	: STADIUMSHOT III
Type	: MFX0408
Voltage	: 100-250 VAC 50-60 Hz/24VDC
Max. working pressure	: 8 bar / 116 psi
Volume	: 10.9 L
Serial number	: on product
Year of construction	: on product

Is in conformity with the minimal safety regulations as stated in the following directive(s):

- LVD (2014/35/EU) Low Voltage Directive
- EMC (2014/30/EC) ElectroMagnetic Compatibility
- RoHS (2011/65/EU) Restriction of the use of certain Hazardous Substances
- WEEE (2012/19/EU) Waste Electrical & Electronic Equipment
- PED (2014/68/EU) Pressure Equipment

The following harmonized standards were applied:

- NEN-EN-ISO 12100:2010 Safety of machinery - General principles for design - Risk assessment and risk reduction.
- NEN-EN-IEC 60204-1:2006, Safety of machinery - Electrical equipment of machines - Part 1: General requirements.
- NEN-EN-IEC 61000-6-3:2007/A1:2011, Electromagnetic compatibility (EMC) - Part 6-3: Generic standards - Emission standard for residential, commercial and light-industrial environments.
- NEN-EN 13445-1:2014, Unfired pressure vessels.

- Original declaration of conformity
- Translation of the original declaration of conformity

Name manufacturer	: MAGIC FX B.V.
Address	: Schouwrooij 27, 5281 RE BOXTEL
Country	: The Netherlands
CEO	: B. Veroude
Date	: 11-02-2020
Signature	



**MAG:CFX<sup>®</sup>**

[WWW.MAGICFX.EU](http://WWW.MAGICFX.EU)

